

# REMOTE CONTROL S-TEA

user guide

## REMOTE CONTROL S-TEA

**S-TEA** is a device designed for the centralization of the test commands in an installation of emergency lights of the AUTOTEST family. This device also controls the rest mode and emergency mode of any type of emergency light with a remote control terminal. The S-TEA is totally configurable, so the time and date of the test to be carried out can be configured.

The device has 3 different zones able to manage up to 150 luminaires each, that is 450 emergencies that the S-TEA could manage. The test to be carried out can be made manually, all together or by zones, as well as automatically.

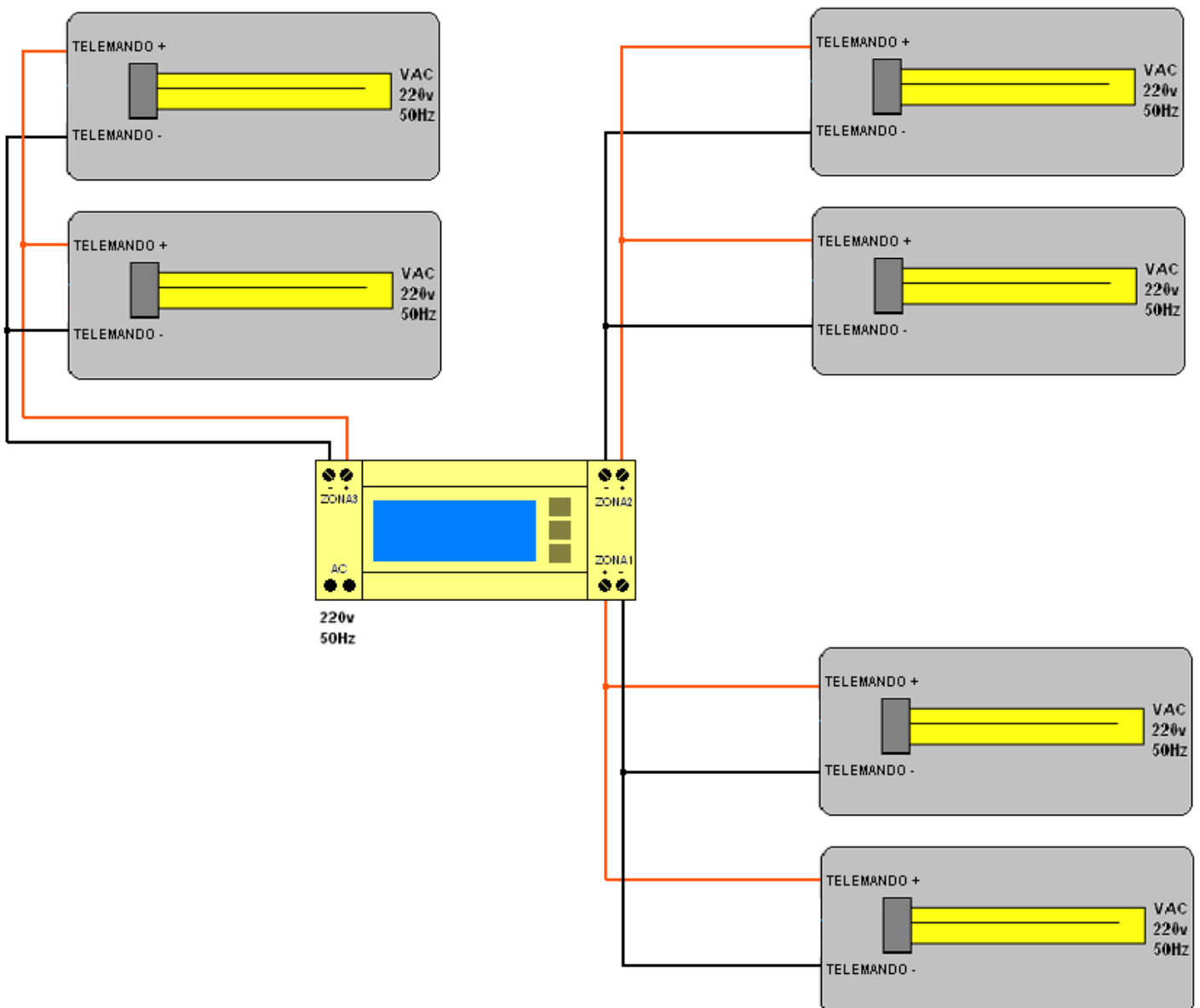
A 3 buttons control makes its functioning very easy.

# INDEX

INDEX .....	2
INSTALLATION INSTRUCTIONS .....	3
FUNCTIONING INSTRUCTIONS .....	4
1. TIME AND DATE CONFIGURATION .....	4
2. MAIN MENU .....	4
3. UPCOMING TESTS .....	5
4. MENU .....	6
5. CLOCK CONFIGURATION .....	6
6. TEST CONFIGURATION .....	6
7. REMOTE CONTROL.....	7
8. MANUAL TEST .....	8
9. PASSWORD .....	8

## INSTALLATION INSTRUCTIONS

1. Mount the device in the DIN Rail.
2. Connect the + - terminals of the different zones to the input of the emergency light. Please pay attention to the wiring of the remote control, since it has polarity. Terminal + of the S-TEA must be connected to the terminal marked as TELEMANDO + in the emergency light, and the terminal - of the S-TEA must be connected to the terminal marked as TELEMANDO - in the emergency light. A wrong connection may result in a malfunction of the S-TEA.
3. Connect the power supply to the terminals marked as RED (230v AC 50Hz)



## FUNCTIONING INSTRUCTIONS

---

When connecting the S-TEA to the power supply the LCD screen should be turned on and show the following message:

### 1. DATE AND TIME CONFIGURATION

I	N	T	R	O	D	U	C	E									
			T	I	M	E					0	0	:	0	0		

fig. 1

When setting the equipment for the first time, the date and time must be configured. With the ▲ ▼ buttons we can increase or decrease the value of the minutes and hours and with the OK button we will validate our selection. Once the time has been correctly set, the next step is the date:

I	N	T	R	O	D	U	C	E									
D	A	T	E		0	1	/	0	1	/	2	0	0	9			

fig.2

### 2. MAIN MENU

Once the time and date have been set, the main menu will be shown. Only the time and date will be displayed:

0	2	/	0	7	/	2	0	0	9		1	3	:	1	3		
						S	-	T	E	A							

fig. 3

From this menu we can access all the equipment features. By pressing the ▲ ▼ buttons we will get access to the info about the upcoming tests. By pressing the MENU button we will access to the equipment selection menu.

### 3. UPCOMING TESTS

While being in the main menu the ▲ ▼ buttons have a special use. By pressing any of them, the screen will display the time and date of the upcoming tests, annual as well as weekly tests, of the different zones. To exit this menu, press the OK button.

Z	O	N	E	1	:	W	E	E	K			T	E	S	T
0	9	:	1	4		2	0	/	0	8	/	2	0	0	8

fig. 4

Z	O	N	E	1	:	A	N	N	U	A	L	T	E	S	T
1	9	:	3	3		2	1	/	0	9	/	2	0	0	8

fig. 5

Z	O	N	E	2	:	W	E	E	K			T	E	S	T
0	9	:	1	4		2	0	/	0	8	/	2	0	0	8

fig. 6

Z	O	N	E	2	:	A	N	N	U	A	L	T	E	S	T
1	9	:	3	3		2	1	/	0	9	/	2	0	0	8

fig. 7

Z	O	N	E	3	:	W	E	E	K			T	E	S	T
0	9	:	1	4		2	0	/	0	8	/	2	0	0	8

Fig 08

Z	O	N	E	3	:	A	N	N	U	A	L	T	E	S	T
1	9	:	3	3		2	1	/	0	9	/	2	0	0	8

fig. 9

#### 4. MENU

If the password option is disabled, S-TEA will show the following screen:

M	E	N	U	:	}	C	L	O	C	K		C	O	N	F
						T	E	S	T		C	O	N	F	
						R	E	M	O	T	E		C	O	N
						M	A	N	U	A	L		T	S	T
						P	A	S	S	W	O	R	D		
						E	X	I	T						

fig. 10

Use the ▲ ▼ buttons to move through the menu. Press OK to access the selected option.

#### 5. CLOCK CONFIGURATION

The time and date can be configured by accessing this option.

#### 6. TEST CONFIGURATION

This menu all type of automatic tests can be configured (both weekly or annual). We can also configure them by zones (all zones at the same time or each one differently).

The first step is to Configure the type of test:

C	O	N	F	I	G	}	W	E	E	K	L	Y		
							A	N	N	U	A	L		
							E	X	I	T				

fig. 11

After that, the zone where the test will be carried out must be selected, ZONE1, ZONE2, ZONE3, or ALL.

C	O	N	F	I	G		}	Z	O	N	E	1			
								Z	O	N	E	2			
								Z	O	N	E	3			
								A	L	L					
								E	X	I	T				

fig. 12

Once the type of test and the zone have been defined, S-TEA will need a date and time to carry out the selected test. The date must be further than the actual one, otherwise the device will show the following message on the screen:

					E	R	R	O	R						
		I	N	V	A	L	I	D		D	A	T	E		

## 7. REMOTE CONTROL

This option will allow the use of S-TEA as a normal Remote Control, switching the equipments into Rest mode or Emergency mode. This option can be used with standard devices as well as autotest devices. This order takes approximately 3 seconds.

The way of using this Remote Control option is very similar to the previous one.

R	E	M	O	T	E		}	Z	O	N	E	1			
								Z	O	N	E	2			
								Z	O	N	E	3			
								A	L	L					
								E	X	I	T				

fig. 13



R	E	M	O	T	E		}	O	N					
								O	F	F				
								E	X	I	T			

fig. 14

### 8. MANUAL TEST

By means of this option we can instantly carry a test on the selected zone.

Also, the use of this option is very similar to the previous ones. First select the type of test to be carried out (annual or weekly) and after select the zone where we want that test to be carried out.

M	A	N	U	A	L		}	W	E	E	K	L	Y	
T	E	S	T					A	N	N	U	A	L	
								E	X	I	T			

fig. 15

M	A	N	U	A	L			}	Z	O	N	E	1
T	E	S	T						Z	O	N	E	2
									Z	O	N	E	3
									A	L	L		
									E	X	I	T	

fig. 16

### 9. PASSWORD

S-TEA has an option of using a security password, so only authorised personal can use the device. The password is a 4 digit code. We can deactivate the existing password or change it for a new. If we choose "New password" the device will require the old one. All of our devices leave our premises with the password "0000". Type that one so the device will grant access to change it for the new one.

P	A	S	S	W	O	R	D		}	N	E	W			
										D	E	A	C	T	
										E	X	I	T		

fig. 16

E	X	I	S	T	I	N	G	P	A	S	S	W	O	R	D
						*	*	*	*						

fig. 17

N	E	W		P	A	S	S	W	O	R	D				
						*	*	*	*						

fig. 18